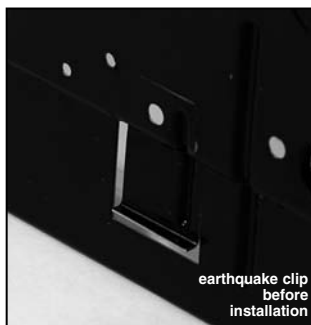
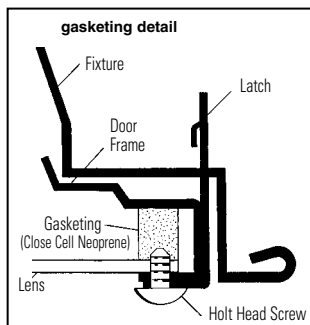
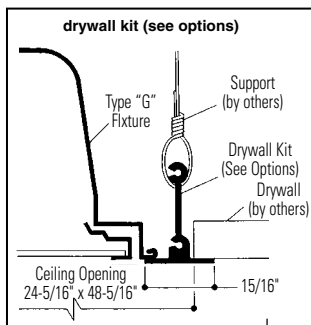
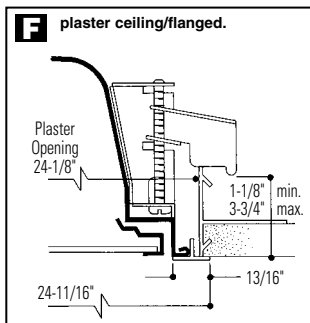
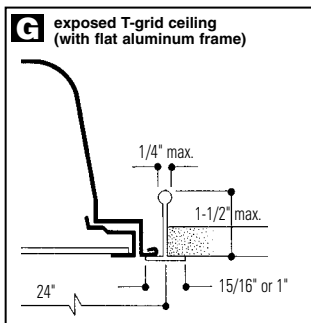


Features

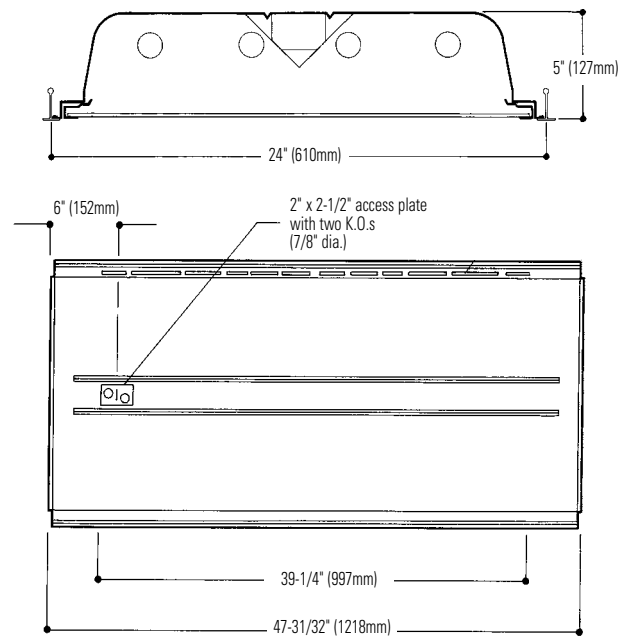
- Excellent for locations where vandal resistance is required.
- Prismatic lens is 3/16" thick pattern 12, minimum impact strength, 130 foot pounds.
- Full perimeter gasketing (closed cell Neoprene) between door frame and lens.
- Tamper resistant holt head screws secure lens to housing.
- 5" deep body.
- 74.4% efficient (T8).
- Hemmed over side rails for maximum safety.
- Fixture ends turned-in for safe handling.
- Built-in earthquake clips.
- Spring loaded rooster head latches.
- 18 gauge steel hinges.



MOUNTING METHODS



DIMENSIONS



Job Information

Type:

Job Name:

Cat. No.:

Lamp(s):

Volts/Ballast:

Lightolier a Genlyte Thomas Company

www.lightolier.com

Technical Information: (978) 657-7600 • Fax (978) 658-0595

631 Airport Road, Fall River, MA 02720 • (508) 679-8131 • Fax (508) 674-4710

We reserve the right to change details of design, materials and finish.

© 2002 Genlyte Thomas Group LLC (Lightolier Division)

A0902

Section 6A/Folio P20-52

LIGHTOLIER®



PHOTOMETRY

MODEL NO. GVS2GFSVK432

LER = FL - 69.0 IW - 105 BF - 0.86
Comparative yearly lighting energy cost per 1000 lumens = \$3.48

GT TESTING LABORATORY logo and address. Report details including Report No., Catalog No., Lamp(s), Luminaire, Candela Distribution table, Zonal Lumen Summary table, Total Luminaire Efficiency, Spacing Criteria, and Luminaire Data table.

Table of coefficients of utilization using the zonal cavity method. Columns include RF, RC, RW, room cavity ratio, and various utilization coefficients.

Table of visual comfort probability (rated lumens per lamp 3150) based on room size and ceiling height. Columns include W, L, and ceiling heights (8.5, 10.0, 13.0, 16.0).

ORDERING INFORMATION

Explanation of Catalog Number. Example: GVS2GFSVK43212004GLR

Ordering code breakdown: GV (Guardsman Vandal Resistant), S (Static), 2 (Fixture Width), FS (Lens Frame), VK (Lens/Shielding Type), Lamp Quantity, Lamp/Fixture Length, Voltage, Ballast Type, and Options.

OPTIONS & ACCESSORIES

- SCREWDRIVER: For holt head screw. Order Catalog Number LP156737.
PLASTER FRAME: Catalog Number PF24.
CONTINUOUS ROW INSTALLATION: For F type fixtures, half width flanges are required between fixtures. Order Catalog Number: S2FCTRIM (each joint).
RADIO INTERFERENCE FILTER: 120 or 277 volt, 50 or 60 Hz. One per fixture standard. SUFFIX: RF.
FUSING: Internal fast-blow fusing. SUFFIX: GLR.
ELECTRICAL/WIRING OPTIONS: Consult factory.
DRYWALL KIT: Order Catalog Number: FK92X4.
CHICAGO PLENUM: SUFFIX: CP.

SPECIFICATIONS

PERFORMANCE: In an installation of 4 lamp 32W luminaires in a room cavity ratio of 1, reflectance 80% ceiling, 50% wall, 20% floor, the C.U. shall not be less than .79. To prevent glare the VCP shall be not less than 46 either lengthwise or crosswise (at 100fc level) and the average brightness at 65° shall not exceed 2321 candelas per square meter.

SPECIFICATIONS (continued)

MATERIALS: Chassis parts are die-formed code gauge cold rolled steel. Housing with side rails hemmed over and housing ends turned-in for safe handling. FINISH: Chassis exterior—black baked polyester enamel. Cavity—white baked polyester enamel minimum 86% reflectance. Phosphate undercoating. LENS: (VK) prismatic lens is 3/16" thick pattern 12, minimum impact strength, 130 foot pounds. ELECTRICAL: Thermally protected class "P" ballast C.B.M. approved, non PCB. If K.O. is within 3" of ballast, use wire suitable for at least 90°. LABELS: I.B.E.W./UL and C-UL.

Job Information Type:

Lightolier a Genlyte Thomas Company www.lightolier.com
Technical Information: (978) 657-7600 • Fax (978) 658-0595
631 Airport Road, Fall River, MA 02720 • (508) 679-8131 • Fax (508) 674-4710
We reserve the right to change details of design, materials and finish.
© 2002 Genlyte Thomas Group LLC (Lightolier Division)
A0902 Section 6A/Folio P20-52

LIGHTOLIER